

Digital Video Recorder

XVR301-Q3 Series



Features

- Support H.265/H.264 video formats
- Support audio over coaxial cable(only for TVI cameras)
- Support TVI, AHD, CVI, CVBS, IP cameras with adaptive access
- 4/8-channel BNC input
- Support 1-ch CVBS output, 1-ch VGA output, 1-ch HDMI output at up to 4K(3840 x 2160)
- HDMI and VGA simultaneous output
- Long transmission distance over coaxial cable
- Support mainstream cameras of ONVIF and RTSP protocols

Specifications

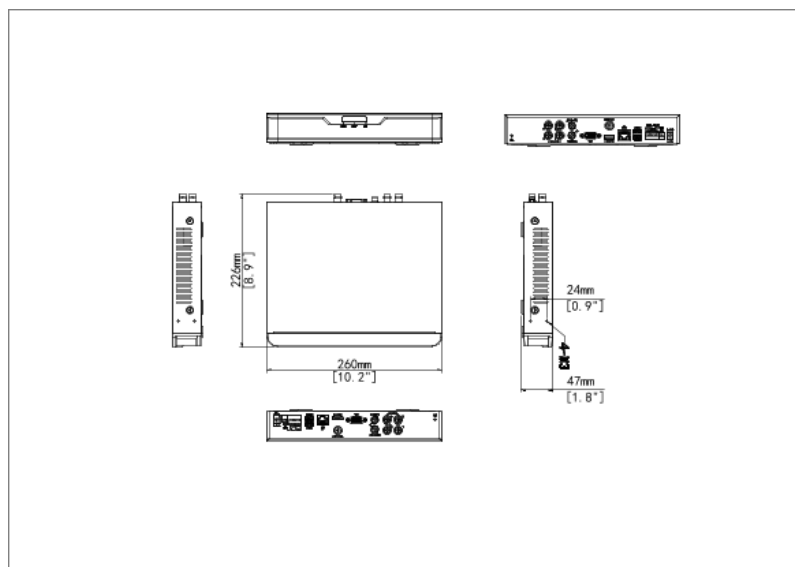
Video/Audio Input	Description
IP Video Input	XVR301-04Q3:2-ch XVR301-08Q3:4-ch
Analog Video Input	XVR301-04Q3:4-ch, BNC XVR301-08Q3:8-ch, BNC
Max IP Video Input	XVR301-04Q3:6-ch XVR301-08Q3:12-ch
Supported Analog Camera Types	XVR301-04Q3:Support AHD input: 8MP@15fps 5MP@20fps 4MP@30fps

	<p>1080P@30fps 720P@30fps Support TVI input: 8MP@15fps 3K@20fps 5MP@20fps 4MP@30fps 1080P@30fps 720P@30fps Support CVI input: 8MP@15fps 5MP@25fps 4MP@30fps 1080P@30fps 720P@30fps Support CVBS input</p> <p>XVR301-08Q3:Support AHD input: 8MP@15fps 5MP@20fps 4MP@30fps 1080P@30fps 720P@30fps Support TVI input: 8MP@15fps 3K@20fps 5MP@20fps 4MP@30fps 1080P@30fps 720P@30fps Support CVI input: 8MP@15fps 5MP@25fps 4MP@30fps 1080P@30fps 720P@30fps Support CVBS input</p>
BNC Audio Input	XVR301-04Q3:4-ch, channel audio XVR301-08Q3:8-ch, channel audio
RCA Audio Input	1-ch
Video/Audio Output	Description
HDMI Output	HDMI:4K(3840x2160)/30Hz, 1920x1080/60Hz, 1920x1080/50Hz, 1600x1200/60Hz, 1280x1024/60Hz, 1280x720/60Hz, 1024x768/60Hz
VGA Output	VGA: 1920x1080p/60Hz, 1920x1080p/50Hz, 1600x1200/60Hz, 1280x1024/60Hz, 1280x720/60Hz, 1024x768/60Hz
BNC Video Output	1-ch
RCA Audio Output	1-ch
Live View Display	XVR301-04Q3:HDMI/VGA: 1/4/6/8/9 XVR301-08Q3:HDMI/VGA: 1/4/6/8/9/16
Encoding/Decoding	Description
Recording Resolution	8MP Lite/5MP Lite/4MP Lite/1080P/720P/D1
Recording Frame Rate	Main stream: 8MP Lite@8fps Sub stream: D1@8fps Main stream: 3K Lite@12fps Sub stream: D1@12fps Main stream: 5MP Lite@12fps Sub stream: D1@12fps Main stream: 4MP Lite@15fps Sub stream: D1@15fps

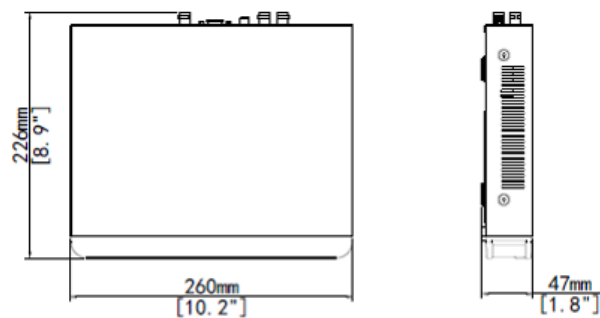
	Main stream: 1080P@15fps Sub stream: D1@15fps Main stream: 720P@30fps Sub stream: D1@30fps
Audio Sample Rate	8KHz,16 bit per channel
Audio Bit Rate	64Kbps per channel
Decoding Capability	XVR301-04Q3:Analog: 4 x 8MP Lite@8, 4 x 3K Lite@12, 4x 5MP Lite@12, 4x 4MP Lite@15, 4 x 1080P@15 IP: 1 x 4MP@30, 2 x 1080P@30 XVR301-08Q3:Analog: 8 x 8MP Lite@8, 8 x 3K Lite@12, 8 x 5MP Lite@12, 8 x 4MP Lite@15, 8 x 1080P@15 IP: 1 x 8MP@30, 2 x 4MP@30, 4 x 1080P@30
Two-way Audio	Description
Two-way Audio	1-ch, RCA(Using the audio input and output)
Analog Snapshot	Description
FTP/Schedule/Event Snapshot	XVR301-04Q3:Schedule/FTP/Event snapshot:4-ch snapshot, up to 704*576 resolution XVR301-08Q3:Schedule/FTP/Event snapshot:8-ch snapshot, up to 704*576 resolution
Network	Description
Incoming Bandwidth	XVR301-04Q3:40Mbps (Up to 48Mbps after all analog channel conversion) XVR301-08Q3:40Mbps (Up to 56Mbps after all analog channel conversion)
Outgoing Bandwidth	XVR301-04Q3:48Mbps XVR301-08Q3:64Mbps
Remote Users	128
Protocols	TCP/IP;P2P;UPnP;DHCP;HTTP;HTTPS;DNS;DDNS;SMTP;NTP
Browser(Plugin)	IE(IE10/11) Firefox (version 52.0 and above) Chrome(version 45 and above) Edge(version 79 and above)
Smart	Description
Analog Smart by XVR	SIP(Intrusion Detection,Cross Line Detection,Enter Area,Leave Area);Ultra Motion Detection(UMD)
VCA Search	Face Search;Behavior Search
Smart Functions by XVR	XVR301-04Q3:4-ch(UMD), 2-ch(SIP) XVR301-08Q3:8-ch(UMD), 2-ch(SIP)
Alarm	Description
General Alarm	Motion
Alert Alarm	IP Conflict;Network Disconnected;Disk offline;Disk Abnormal;Illegal Access;Hard Disk Space Low;Hard Disk Full;Recording/Snapshot Abnormal
Hard Disk	Description
Capacity	Up to 8TB for each HDD (The maximum HDD capacity varies with environment temperature)
External Interface	Description
Network Interface	1 RJ45 10M/100M self-adaptive Ethernet Interface
USB	Rear panel: 2 x USB2.0
RS485	1
Alarm In	4-ch
Alarm Out	1-ch

Power Supply	DC 12V/2A
Working Environment	Description
Working Temperature	-10° C ~ + 55° C (+14° F ~ +131° F)
Working Humidity	≤ 90% RH(non-condensing)
Power Consumption (without HD D)	≤ 10W
Dimensions	Description
Weight (without HDD)	≤ 1.1 Kg (2.42lb)
Dimensions	260mm × 226mm × 47mm (10.2" × 8.9" × 1.8")
Certification	Description
Certification	CE, FCC, UL, RoHS, WEEE
CE	EN 55032, EN 61000-3-3, EN IEC 61000-3-2, EN 55035
FCC	Part15 Subpart B

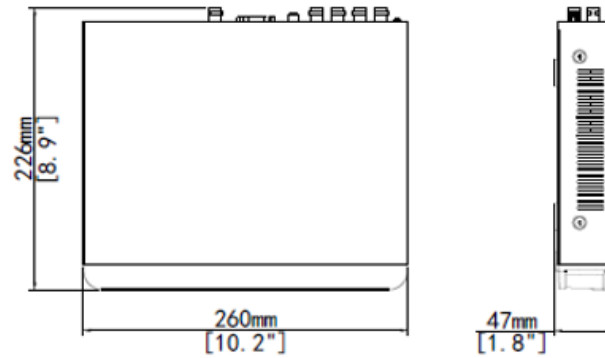
Dimensions



[XVR301-04Q3]

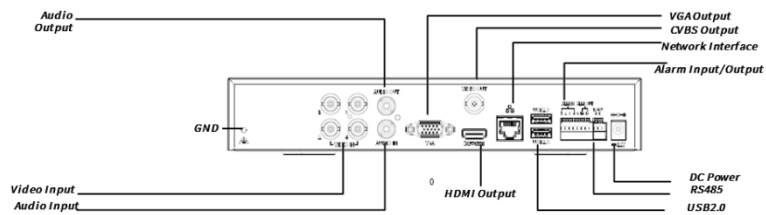


[XVR301-08Q3]

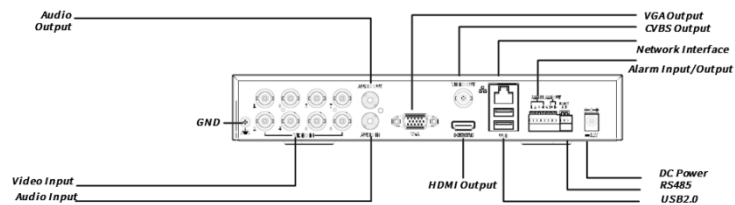


Rear Panel

[XVR301-04Q3]



[XVR301-08Q3]



Zhejiang Uniview Technologies Co., Ltd.

No. 369, Xietong Road, Xixing Sub-district, Binjiang District, Hangzhou City, 310051, Zhejiang Province, China

Email: overseasbusiness@uniview.com; globalsupport@uniview.com

<http://www.uniview.com>

©2023-2024 Zhejiang Uniview Technologies Co., Ltd. All rights reserved.

*Product specifications and availability are subject to change without notice.

*Despite our best efforts, technical or typographical errors may exist in this document. Uniview cannot be held responsible for any such errors and reserves the right to change the contents of this document without prior notice.